

AGENDA
Cascade Charter Township
Downtown Development Authority Board of Directors
July 21, 2020
5:30 p.m.

- ARTICLE 1.** Call the Meeting to Order
Record the Attendance

- ARTICLE 2.** Approval of the Agenda

- ARTICLE 3.** Approval of the Minutes of June 16, 2020 Meeting

- ARTICLE 4.** Acknowledge visitors and those wishing to speak to non-agenda items *(Comments are limited to five minutes per speaker)*

- ARTICLE 5.** Discuss and Consider Cascade Rd. Pathway & Streetlight Options (Pathway #3)

- ARTICLE 6.** Discuss and Consider Streetlight Conversion

- ARTICLE 7.** Update – DDA Activities & Projects

- ARTICLE 8.** Any Other Business
 - a. Update - District Planning Activities

- ARTICLE 9.** Adjournment

MINUTES
Cascade Charter Township
Downtown Development Authority Board of Directors
Tuesday, June 16, 2020
5:30 P.M. Online Zoom Meeting

ARTICLE 1. **Chairman Puplava** called the meeting to order at 5:39 P.M. via online Zoom meeting
Members Present: Puplava, Siegle, Puplava, DeWitt, Beahan
Members Absent: Kingsland, Makkar, Stephan
Others Present: DDA Director Sandra Korhorn

ARTICLE 2. Approve the current Agenda.

Motion was made by Member Beahan to approve the Agenda. Supported by Member DeWitt. Motion carried 5 to 0.

ARTICLE 3. Approve the Minutes of the May 19, 2020 Meeting.

Motion was made by Member Siegle to approve the Minutes of the May 19, 2020 Meeting. Supported by Member Beahan. Motion carried 5 to 0.

ARTICLE 4. Acknowledge visitors and those wishing to speak to non-agenda items.

No one came forward.

ARTICLE 5. Review Updated Work Scope & Preliminary Schedule for Lower Village Master Plan

Director Korhorn stated that the Township Board, at their May 27 meeting, approved moving forward with the proposal for the Lower Village plan. Trevor (Viridis Design Group) provided an updated schedule for the work scope. Director Korhorn highlighted the dates of the Phases.

Phase 1 Site Investigation & Analysis (July 1-August 15)

Phase 2 Engagement + Site Programming (August 16- October 12)

Phase 3 Master Plan Finalization (October 13 – November 14)

ARTICLE 6. Update – Temporary Outdoor Uses/Activities

Director Korhorn stated that because of the Covid-19 Pandemic, the Township Board, at their June 10 meeting, passed a resolution allowing administrative site plan review for temporary outdoor food and beverage, retail, recreation and other similar uses.

Director Korhorn stated these temporary regulations will allow for restaurants, retail, recreational and other similar uses to obtain administrative site plan approval for the following and will expire November 1, 2020:

1. Temporary drive thru
2. Outdoor retail sales
3. Outdoor physical fitness/health activities
4. Temporary outdoor seating and/or expansion on private or public sidewalks, parking lots, and interior landscape areas
5. Allow for temporary tents and vehicles to be used in conjunction with their request.

The board members approved of the regulations from the Township Board to help the businesses in the district.

ARTICLE 7. Review 2019 Annual Report

Director Korhorn stated that as part of Public Act 57, the DDA is required to submit an annual report for the DDA to the State of Michigan Treasury as well as the taxing authorities. The taxing authorities include Cascade Township, Kent County, Kent District Library and Grand Rapids Community College.

Director Korhorn went through the report with the board.

ARTICLE 8. Any Other Business

- a. No other business

ARTICLE 9. Adjournment

Motion was made by Member Siegle to adjourn. Supported by Member DeWitt. Motion carried 5 to 0. The meeting was adjourned at 5:55 P.M.

Respectfully submitted,

Diana Kingsland, Secretary

The DDA held a scheduled Informational Meeting before the regularly scheduled meeting.

ARTICLE 1. Chairman Puplava called the Meeting to order at 5:31pm.

ARTICLE 2. Review the Informational Meeting Agenda

ARTICLE 3. Acknowledge visitors and those wishing to speak to non-agenda items.

No one came forward.

ARTICLE 4. Review of Projects Completed over the Last Year

Director Korhorn listed many things the DDA has completed in 2019, including:

- Sunday Afternoon Live sponsorship
- Family Nights at the Library sponsorship
- Cascade Metro Cruise Warmup sponsorship
- Bus Service
- Purchase of a Bucket Truck
- Construction of Centennial Park Streetscape, including sidewalks, streetlights and landscape
- Purchase of the Tuffy property
- Participated in the development of the Master Plan

ARTICLE 5. Overview of Future Plans

Director Korhorn briefly went over a list of expected future projects, including:

- The construction of an Outdoor Gathering Space at the Library
- Cascade Metro Cruise Warmup
- Tactical Urbanism

ARTICLE 6. Adjournment

Respectfully submitted,

Diana Kingsland, Secretary

DDA MEMORANDUM

To: Cascade Township DDA Board

From: Sandra Korhorn, DDA/Economic Development Director *SKK*

Subject: Discuss and Consider Cascade Rd. Pathway and Streetlight Options (Pathway #3)

Meeting Date: July 21, 2020

The pathway millage included a pathway extension on Cascade Rd. from 28th St. to Burton. The DDA is responsible for the sidewalk in the District (28th Street to the Cascade Hospital for Animals). The path will be 7' wide, similar to other sidewalks in the district. We will also be installing streetlights in the area (on both sides of the road).

If you recall, we asked the engineers to look for a fixture that looks similar to the Lumec lights we are currently using in the village and down 28th St. Two fixtures were selected and put out to bid; a base fixture (preferred) and an alternate. The DDA board also requested banner arms be provided with these streetlights.

Bids were received and K&R is the low bid. They indicated the base light is a little more expensive but the manufacturers were unable to provide the exact type of alternate bid fixture/pole combination specified in the Construction Plans, so they instead quoted the next closest fixture/pole combination that they had. However, this "next closest combination" does not allow for banner arms.

Attached are the cutsheets for the base fixture, alternate and "next closest" alternative fixtures. I have also included a photograph of our existing Lumec lights so you can compare.

A decision will need to be made on which fixture should be installed with this sidewalk.









ALN540

- Energy Saving LED technology
- Reliable efficient operation
- Type 2, 3, 4, 5 distributions
- 0-10V dimming ready
- LifeShield® protection system
- Surge protection included
- Wide variety of custom mounting options including post-top, wall mount or pole mount arm
- IP66 construction of optical system
- wiHUBB ready configurations
- Cast aluminum struts
- DLC pending
- Available in 3000K, 4000K and 5000K
- Powder coat finish in 13 standard colors with polymer sealer

1. LUMINAIRE ALN 540PM	2. DISTRIBUTION	3. COLOR TEMP	4. DRIVER	5. COLOR	6. OPTIONS	7. CONTROL	8. MOUNTING
----------------------------------	------------------------	----------------------	------------------	-----------------	-------------------	-------------------	--------------------

1. LUMINAIRE

ARM OR POST TOP MOUNT

ALN 540PM

DOWN MOUNTED ARM OR PENDANT MOUNT

ALN 540D

2. DISTRIBUTION

Y2 (Type 2)

Y3 (Type 3)

Y4 (Type 4)

Y5 (Type 5)

3. COLOR TEMPERATURE

32LED-3K (Warm White, 3000K output)

32LED-4K (Neutral White, 4000K output)

32LED-5K (Bright White, 5000K output)

4. DRIVER (120 thru 277 volt)

700 (700mA drive current, 75 watts)

5. COLOR

WH Arctic White	VBU Verde Blue
BL Black	CRT Corten
BLT Matte Black	MAL Matte Aluminum
DB Dark Bronze	MG Medium Grey
DGN Dark Green	AGN Antique Green
TT Titanium	LG Light Grey
WDB Weathered Bronze	RAL Premium Color
MDB Bronze Metallic	CUSTOM ** Contact Factory

6. OPTIONS

CHM (Glass chimney with polished brass holder)

CND (3-lamp candelabra with polished brass holder, lamps included. For decorative use only.)

LDL (Lightly diffused lens)

SBL (Sandblast diffused lens)

HSS-L (House side shield for use with clear lens only, consists of three field installed panels attached to the inside of the lens. Installing three panels blocks 180° of the lens)

MAT (Mast arm adapter slips over a 2 3/8" / 60mm O.D. pipe and is secured with 4 stainless steel set screws. For ALN540D only.)

PMS (Pendant mount with 48" / 1220mm stem and canopy with swivel. For ALN540D only.)

PMC (Pendant kit includes canopy and 48" / 1220mm of brass chain painted the fixture color. For ALN540D only)

7. CONTROL

PCA-C (Contemporary photocell adapter, not for Wall Mount)

PCA-T (Traditional photocell adapter, not for Wall Mount)

SCP (Sensor Control Programmable) pole accessory is available to provide occupancy detection for outdoor applications meeting California Title 24. For complete spec sheet and ordering information, visit www.aal.net/products/sensor_control_programmable/

8. MOUNTING

WALL MOUNT

ALN540PM

WMA1M	WMA1L	WMA3	WMA35U
WMA36U	WMA55	WMA56	WMA57
WMA7	WMA9U	WMA22U	

ALN540D

WMA2M	WMA2L	WMA37	WMA38
WMA39	WMA4	WMA6	WMA8
WMA9D	WMA10	WMA11	WMA12
WMA16	WMA17	WMA18	WMA22D

POLE MOUNT (4" O.D. or 5" O.D. side mount)

ALN540PM

TRA1M	TRA3	TRA5U	TRA55
TRA56 (4" only)	TRA57	TRA59U	SLA8U
SLA22U			

ALN540D

TRA2M	TRA2L	SLA3 (4" only)
SLA8D	SLA22D	

POLE MOUNT

ALN540PM

SLA1	SLA1-2
------	--------

ALN540D

TRA4	TRA7	TRA7-2	TRA8
TRA9	TRA9-2	SLA4	SLA4-2
SLA7	SLA7-2	SLA9	SLA9-2
SLA10	SLA10-2	SLA16	SLA16-2
SLA17	SLA17-2	SLA18	SLA18-2

POST TOP MOUNT (ALN540PM only)

PM1	PM2	PM3
-----	-----	-----

Visit www.aal.net for Arms, Poles & Accessories Specification Guide

SPECIFICATIONS

HOUSING

Luminaire shall be cast A356 alloy aluminum, free of any porosity or cosmetic fillers. Castings shall be of uniform wall thickness, minimum .188 inch with no warping or mold shifting.

The top cap shall hinge open by loosening two captive fasteners. The top shall seal the lamp compartment with a continuous silicone gasket. The lens shall be one-piece clear optical grade acrylic with a one-piece memory retentive silicone gasket on top and bottom. The LED and driver assembly shall be serviceable by backing out three thumb screws to allow for the light engine to be lifted out. Quick disconnects shall be used for all electrical connections.

All internal and external hardware shall be stainless steel.

OPTICAL MODULE

The optical assembly shall be completely sealed with a one piece injection molded silicone gasket to prevent dust, insect or moisture contamination. The optical array shall consist of high brightness light emitting diodes mounted to a printed metal circuit board with precision injection molded optically clear lenses discretely coupled to each individual diode. The printed circuit board assembly shall have a uniform conformal coating with the exception of the optical output lens at each diode and be mechanically fastened to an anodized die-cast aluminum heat sink. Standard color temperatures shall be 3000K, 4000K and 5000K.

ELECTRICAL

See next page

JOB	_____
TYPE	_____
NOTES	_____



ALN540 – Towne Commons® LED | TYPE

All Luminaires shall accept 120 thru 277 volt input and have integral surge protection. Drivers shall be U.L recognized and have a 0-10v dimming interface with a dimming range of 10-100%. Approved dimmers include Lutron Diva AVTV, Lutron Nova NFTV and NTFTV. (Note: not compatible with current sourcing dimmers). Consult factory for current list of known compatible dimming systems. LifeShield™ shall be provided with all configurations for added protection in extreme temperature environments (-30°C to 60°C). The electrical assembly shall be mounted to a serviceable tray. The surge protector shall be U.L. recognized and have a surge current rating of 10,000 Amps using the industry standard 8/20uSec wave with a clamping voltage of 320V and surge rating of 372J. The surge protector case shall be a high-temperature, flame resistant plastic enclosure. The electrical assembly shall be installed and prewired in the fixture.

CONTROLS

SCP shall have an integral surge protection device with a current rating of 10,000 Amps using the industry standard 8/20uSec wave and sure rating of 372J

Sensor not intended for use with additional photo-control, wireless control or dimming systems.

SERVICING

The top of the fixture shall hinge open for relamping by loosening two stainless steel fasteners.

MOUNTING

Post top mounting: The fixture shall slip over a 4"/100mm O.D. pole or tenon and be secured to the pole with three (or six) stainless steel set screws.

Arm or wall mounting: The fixture shall be attached to the cast arm with three stainless steel bolts and a silicone gasket.

FINISH

Fixture finish shall consist of a five stage pretreatment regimen with a polymer primer sealer, oven dry off and top coated with a thermoset super TGIC polyester powder coat finish. The finish shall meet the AAMA 2604-02 performance specification which includes passing a 3000 hour salt spray test for corrosion resistance.

CERTIFICATION

Fixtures shall be listed with ETL for outdoor, wet location use, conforming to the UL 1598 and Canadian CSA 22.2 no. 250 standard. IP54.

WARRANTY / TERMS AND CONDITIONS OF SALE

Download: <http://www.hubbelling.com/resources/warranty/>

AAL reserves the right to change product specifications without notice.

PROJECTED LUMEN MAINTENANCE

AMBIENT TEMP.	0	25,000	50,000	*TM-21-11 60,000	100,000	PROJECTED L70 (HRS)
25°C/ 77°F	100%	95%	93%	92%	89%	>60,000
40°C/ 104°F	100%	94%	91%	90%	85%	>60,000

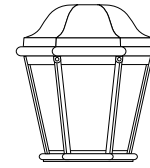
DIMENSIONS



ALN540PM

ALN540PM

HEIGHT: 35"/890mm
LENGTH: 18"/460mm
WIDTH: 18"/460mm
WEIGHT: 40 lbs.
EPA: 2.80



ALN540D

ALN540D

HEIGHT: 21"/520mm
LENGTH: 18"/460mm
WIDTH: 18"/460mm
WEIGHT: 35 lbs.
EPA: 2.59

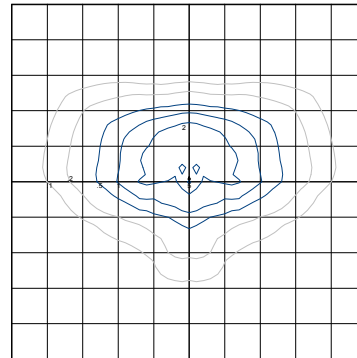
PERFORMANCE DATA (32 LEADS, 700 MA DRIVE CURRENT, 75 WATTS)

TYPE	LENS	5K					4K					3K				
		LUMENS	LPW	B	U	G	LU-MENS	LPW	B	U	G	LUMENS	LPW	B	U	G
Y2	CLEAR	5838	78	2	3	3	5489	73	2	3	3	4320	58	1	3	2
Y3		5793	77	2	3	2	5445	73	2	3	2	4287	57	1	2	2
Y4		5772	77	1	3	3	5427	72	1	3	3	4271	57	1	3	2
Y5		5319	71	3	3	3	5002	67	3	3	2	3935	52	2	3	2
Y2	LDL	5438	73	2	4	3	5112	68	2	4	3	4024	54	1	3	3
Y3		5406	72	2	4	3	5082	68	1	4	3	4001	53	1	3	3
Y4		5444	73	1	4	3	5118	68	1	4	3	4029	54	1	4	3
Y5		5037	67	2	4	3	4735	63	2	4	3	3728	50	2	3	2
Y2	SBL	5014	67	2	4	3	4713	63	2	4	3	3710	49	1	4	3
Y3		4986	66	1	4	3	4687	62	1	4	3	3689	49	1	4	2
Y4		5036	67	1	4	3	4734	63	1	4	3	3727	50	1	4	3
Y5		4633	62	2	4	3	4355	58	2	4	3	3428	46	1	3	2

ALN540-Y3-32LED-5K-700 WATTAGE: 74 LUMEN OUTPUT: 5793 EFFICACY: 78 Lm/W

B2 U3 G2

FORWARD LIGHT		LUMEN	
FL	30°	4.1%	236.6
FM	60°	34.1%	1973.7
FH	80°	28.5%	1651.9
FVH	90°	3.2%	182.6
BACK LIGHT			
BL	30°	3.5%	201.5
BM	60°	11.6%	671.0
BH	80°	10.6%	614.0
BVH	90°	2.5%	145.3
UPLIGHT			
UL	100°	1.1%	62.3
UH	180°	0.9%	54.1

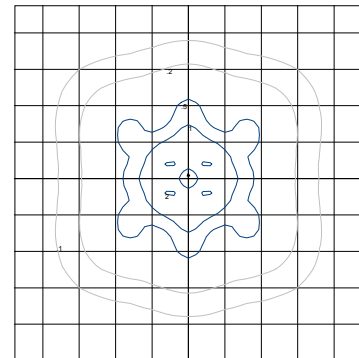


14' MOUNTING HEIGHT

ALN540-Y5-32LED-5K-700 WATTAGE: 73.8 LUMEN OUTPUT: 5319 EFFICACY: 72 Lm/W

B3 U3 G3

FORWARD LIGHT		LUMEN	
FL	30°	3.6%	192.0
FM	60°	16.6%	881.0
FH	80°	24.1%	1281.6
FVH	90°	4.6%	244.9
BACK LIGHT			
BL	30°	3.6%	192.0
BM	60°	16.6%	881.0
BH	80°	24.1%	1281.6
BVH	90°	4.6%	244.9
UPLIGHT			
UL	100°	1.6%	83.0
UH	180°	0.7%	37.1

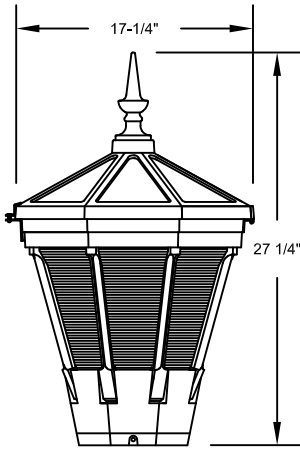


14' MOUNTING HEIGHT

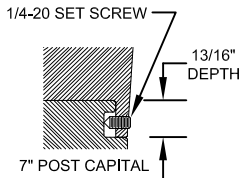
IES files can be found at www.aal.net



ARCHITECTURAL AREA LIGHTING
17760 Rowland Street | City of Industry | CA 91748
P 626.968.5666 | F 626.369.2695 | www.aal.net
Copyright © 2014 May 9, 2017 3:33 PM

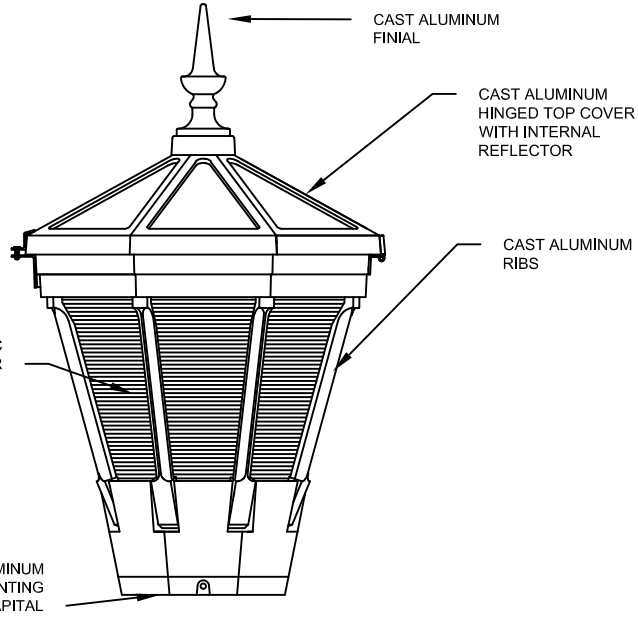


SECTION OF BALLAST HOUSING AT MOUNTING POINT



Maximum weight - 34 lbs
Maximum effective projected area - 1.4 sq. ft.

Alternate Fixture



Arlington LED[®] Postop Luminaire

DECORATIVE OUTDOOR

ORDERING INFORMATION:

<p>ARE2</p> <p>HOUSING STYLE ARE2 = ARLINGTON LED POST TOP</p>	<p>COLOR TEMPERATURE 27K = 2700 K CCT 30K = 3000 K CCT 40K = 4000 K CCT 50K = 5000 K CCT</p>	<p>VOLTAGE AS = AUTO-SENSING (120-277) 50/60 HZ AH = AUTO-SENSING (347-480) 50/60 HZ</p>	<p>COLOR BK = BLACK BZ = BRONZE GH = GRAPHITE GN = GREEN GR = GREY PP = PRIME PAINT WH = WHITE CMC = CUSTOM MATCH COLOR TDC = TIGER DRYLAC COLOR (RALxxx) XX = STD FINISH, TBD</p>	<p>FINIAL B = BALL S = SPIKE N = NONE</p>
<p>LED PERFORMANCE PACKAGE (SEE PERFORMANCE DATA TABLE FOR DETAILS, PAGE 2)</p> <p>P10 = LED PERFORMANCE PACKAGE P20 = LED PERFORMANCE PACKAGE P30 = LED PERFORMANCE PACKAGE P40 = LED PERFORMANCE PACKAGE P50 = LED PERFORMANCE PACKAGE</p>		<p>OPTICS ACRYLIC REFRACTOR AY3 = TYPE 3 AY5 = TYPE 5 GLASS REFRACTOR GL3 = TYPE 3 POLYCARBONATE REFRACTOR PY3 = TYPE 3 PY5 = TYPE 5</p>		



OPTIONS

CONTROL OPTIONS

- FPDxx = FACTORY PROGRAMMED DRIVER
- P3E = NEMA TWISTLOCK RECEPTACLE EXTERNALLY MOUNTED - 3 PIN
- P7E = NEMA TWISTLOCK RECEPTACLE EXTERNALLY MOUNTED - 7 PIN
- P34 = DTL TWISTLOCK PHOTOCONTROL 347V
- P48 = DTL TWISTLOCK PHOTOCONTROL 480V
- PCLL = DTL LONG LIFE TWISTLOCK PHOTOCONTROL FOR SOLID STATE "AS" & "AH"
- PCS = DTL TWISTLOCK PHOTOCONTROL FOR SOLID STATE "AS"
- PSC = SHORTING CAP
- RME = ROAM NODE (120-277V) EXTERNALLY MOUNTED WITH 7 PIN
- RME3 = ROAM NODE (347V) EXTERNALLY MOUNTED WITH 7 PIN
- RME4 = ROAM NODE (480V) EXTERNALLY MOUNTED WITH 7 PIN

SURGE PROTECTION OPTION

20kV = 20kV/10kA SURGE PROTECTOR

PREWIRE LEAD OPTIONS

- L1H = 1.5 FEET OF PREWIRED LEADS
- L20 = 20 FEET OF PREWIRED LEADS
- L03 = 3 FEET OF PREWIRED LEADS
- L25 = 25 FEET OF PREWIRED LEADS
- L10 = 10 FEET OF PREWIRED LEADS
- L30 = 30 FEET OF PREWIRED LEADS

ACCESSORIES

DECORATIVE ADAPTOR FIELD INSTALLED OPTIONS

GV1A73** = 3" TO 7" POST CAPITAL (** = SELECT COLOR)

HOUSE SIDE SHIELD FIELD INSTALLED OPTIONS

- PHSS90 = HOUSE SIDE SHIELD SOLID 90 DEGREE
- PHSS12 = HOUSE SIDE SHIELD SOLID 120 DEGREE
- PHSS18 = HOUSE SIDE SHIELD SOLID 180 DEGREE

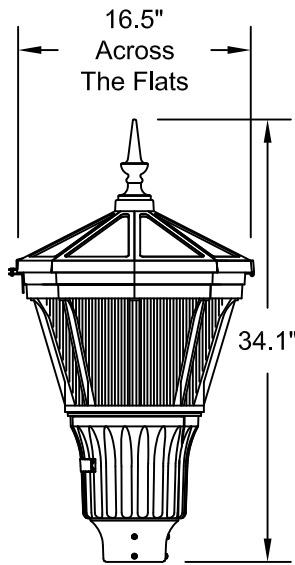
SURGE REPLACEMENT FIELD INSTALLED OPTIONS

- SPDPLUGIN-AS = REPLACEMENT FOR 120-277V
- SPDPLUGIN-AH = REPLACEMENT FOR 347-480V
- SPDPLUGIN-AS-20KV = REPLACEMENT FOR 120-277V 20kV/10kA
- SPDPLUGIN-AH-20KV = REPLACEMENT FOR 347-480V 20kV/10kA

FOR COMPATABLE OPTIONS, REFER TO THE **OPTION MATRIX** ON PAGE 3 OF 4

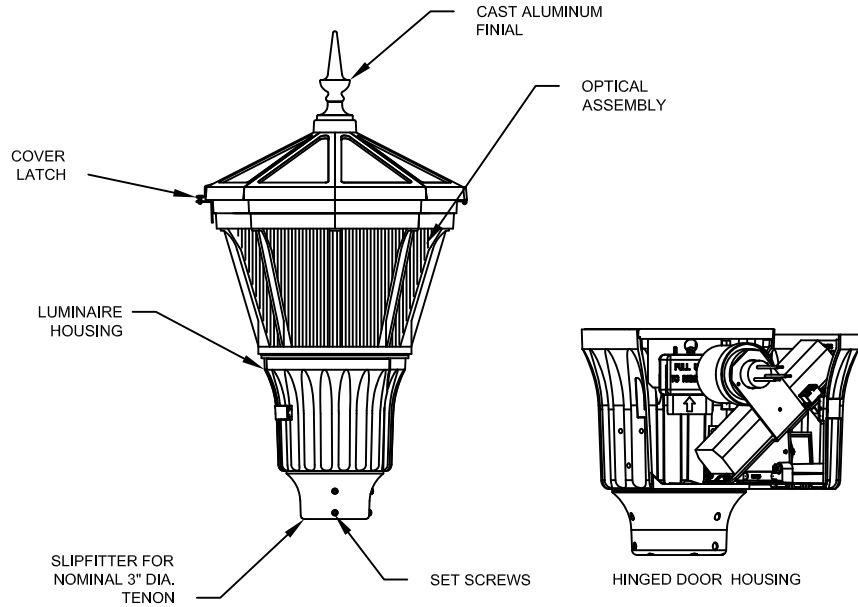
THIS DRAWING, WHEN APPROVED, SHALL BECOME THE COMPLETE SPECIFICATION FOR THE MATERIAL TO BE FURNISHED BY HOLOPHANE ON THE ORDER NOTED ABOVE. A UNIT OF SIMILAR DESIGN MAY BE USED IN CONNECTION WITH THIS ORDER. HOLOPHANE WILL BE RESPONSIBLE FOR THE DESIGN OF THE MATERIAL TO BE FURNISHED. HOLOPHANE WILL BE SUPPLIED WITH EACH ANCHOR BOLT ORDER TO MATCH THE POLE PROVIDED. THIS PRINT IS THE PROPERTY OF HOLOPHANE AND IS LOANED SUBJECT TO RETURN UPON DEMAND AND UPON EXPRESS WRITTEN NOTICE. HOLOPHANE WILL NOT BE RESPONSIBLE IN ANY WAY DETRIMENTAL TO OUR INTERESTS, AND ONLY IN CONNECTION WITH MATERIAL FURNISHED BY HOLOPHANE.

ORDER #:
TYPE:
DRAWN: MRP
DATE: 02/01/2018
DWG #: LUM_ARE2



Maximum weight - 38 lbs
Maximum effective projected area - 1.38 sq. ft.

Next Closest Alternate



Utility Arlington LED Series Luminaire

DECORATIVE OUTDOOR

ORDERING INFORMATION:

ARUE2

HOUSING STYLE

ARUE2 = UTILITY ARLINGTON LED POST TOP

COLOR TEMPERATURE

27K = 2700 K CCT
30K = 3000 K CCT
40K = 4000 K CCT
50K = 5000 K CCT

VOLTAGE

AS = AUTO-SENSING (120-277) 50/60 HZ
AH = AUTO-SENSING (347-480) 50/60 HZ

COLOR

BK = BLACK
BZ = BRONZE
GH = GRAPHITE
GN = GREEN
GR = GREY
PP = PRIME PAINT
WH = WHITE
CMC = CUSTOM MATCH COLOR
TDC = TIGER DRYLAC COLOR (RALxxx)
XX = STD FINISH, TBD

FINIAL

B = BALL
S = SPIKE
N = NONE

LED PERFORMANCE PACKAGE

(SEE PERFORMANCE DATA TABLE FOR DETAILS, PAGE 2)

P10 = LED PERFORMANCE PACKAGE
P20 = LED PERFORMANCE PACKAGE
P30 = LED PERFORMANCE PACKAGE
P40 = LED PERFORMANCE PACKAGE
P50 = LED PERFORMANCE PACKAGE

OPTICS

ACRYLIC REFRACTOR
AY3 = TYPE 3
AY5 = TYPE 5
GLASS REFRACTOR
GL3 = TYPE 3
POLYCARBONATE REFRACTOR
PY3 = TYPE 3
PY5 = TYPE 5

OPTIONS

CONTROL OPTIONS

AO = FIELD ADJUSTABLE OUTPUT
DE = ROAM HARDWARE AND DECO NODE
FPDxx = FACTORY PROGRAMMED DRIVER
P3 = NEMA TWISTLOCK RECEPTACLE INTERNALLY MOUNTED - 3 PIN
P3E = NEMA TWISTLOCK RECEPTACLE EXTERNALLY MOUNTED -3 PIN
P7 = NEMA TWISTLOCK RECEPTACLE INTERNALLY MOUNTED - 7 PIN
P7E = NEMA TWISTLOCK RECEPTACLE EXTERNALLY MOUNTED - 7 PIN
P34 = DTL TWISTLOCK PHOTOCONTROL 347V
P48 = DTL TWISTLOCK PHOTOCONTROL 480V
PCLL = DTL LONG LIFE TWISTLOCK PHOTOCONTROL FOR SOLID STATE "AS" & "AH"
PCS = DTL TWISTLOCK PHOTOCONTROL FOR SOLID STATE "AS"
PND = 0-10V PART NIGHT DIMMING
PSC = SHORTING CAP
RME = ROAM NODE (120-277V) EXTERNALLY MOUNTED WITH 7 PIN
RME3 = ROAM NODE (347V) EXTERNALLY MOUNTED WITH 7 PIN
RME4 = ROAM NODE (480V) EXTERNALLY MOUNTED WITH 7 PIN

NEMA LABEL OPTION

NL1X1 = 1"x1" ANSI WATTAGE LABEL
NL2X2 = 2"x2" ANSI WATTAGE LABEL

SURGE PROTECTION OPTION

20kV = 20kV/10kA SURGE PROTECTION

PREWIRED LEAD OPTIONS

L1H = 1.5 FEET OF PREWIRED LEADS
L03 = 3 FEET OF PREWIRED LEADS
L10 = 10 FEET OF PREWIRED LEADS
L20 = 20 FEET OF PREWIRED LEADS
L25 = 25 FEET OF PREWIRED LEADS
L30 = 30 FEET OF PREWIRED LEADS

ACCESSORIES

HOUSE SIDE SHIELD FIELD INSTALLED OPTIONS

PHSS90 = HOUSE SIDE SHIELD SOLID 90 DEGREE
PHSS12 = HOUSE SIDE SHIELD SOLID 120 DEGREE
PHSS18 = HOUSE SIDE SHIELD SOLID 180 DEGREE

SURGE REPLACEMENT FIELD INSTALLED OPTIONS

SPDPLUGIN-AS = REPLACEMENT FOR 120-277V
SPDPLUGIN-AH = REPLACEMENT FOR 347-480V
SPDPLUGIN-AS-20KV = REPLACEMENT FOR 120-277V 20kV/10kA
SPDPLUGIN-AH-20KV = REPLACEMENT FOR 347-480V 20kV/10kA

FOR COMPATABLE OPTIONS, REFER TO THE OPTION MATRIX ON PAGE 3 OF 4



THIS DRAWING, WHEN APPROVED, SHALL BECOME THE COMPLETE SPECIFICATION FOR THE MATERIAL TO BE FURNISHED BY HOLOPHANE ON THE ORDER NOTED ABOVE. A UNIT OF SIMILAR DESIGN MAY BE USED ON THE ORDER IF THE HOLOPHANE DESIGN IS IDENTICAL TO THE VISIBLE PORTION OF THE ORDER. AN ANCHOR BOLT TEMPLATE PRINT WILL BE SUPPLIED WITH EACH ANCHOR BOLT ORDER TO MATCH THE POLE PROVIDED. THIS PRINT IS THE PROPERTY OF HOLOPHANE AND IS LOANED SUBJECT TO RETURN UPON DEMAND AND UPON EXPRESS WRITTEN NOTICE. HOLOPHANE ASSUMES NO LIABILITY IN ANY WAY DETRIMENTAL TO OUR INTERESTS, AND ONLY IN CONNECTION WITH MATERIAL FURNISHED BY HOLOPHANE.

ORDER #: _____
TYPE: _____
DRAWN: MRP
DATE: 02/01/2018
DWG #: LUM_ARUE2

DDA MEMORANDUM

To: Cascade Township DDA Board

From: Sandra Korhorn, DDA/Economic Development Director *SKK*

Subject: Discuss and Consider DDA Streetlights - LED Conversion

Meeting Date: July 21, 2020

If you recall, there are three streetlights on 28th Street (at Old 28th St.) that have been retrofitted to an LED option. At the January meeting we discussed moving forward with the conversion and decided to hold off until spring to see if the light output held up.

The reason for the retrofit conversion is due to high maintenance cost of the existing lights and a retrofit option is less expensive than changing the fixtures and the payback is a lot lower.

Tony Kultz, Electrical Engineer from Fishbeck, went out to measure the lighting and see how things look now compared to when the lamps were installed. He will provide an update on that as well as update the cost spreadsheet. I will have this information for you at the meeting on Tuesday.

The goal is to complete this project this fall if the DDA decides to move forward with the LED conversion.